

WAECO

mobile solutions



WAECO CoolMatic

CR-50, CR-65, CR-80, CR-110, CR-140

DE 13 **Kühlschrank**
Bedienungsanleitung

EN 34 **Refrigerator**
Operating Manual

FR 54 **Réfrigérateur**
Notice d'utilisation

ES 77 **Nevera**
Instrucciones de uso

IT 98 **Frigorifero**
Istruzioni per l'uso

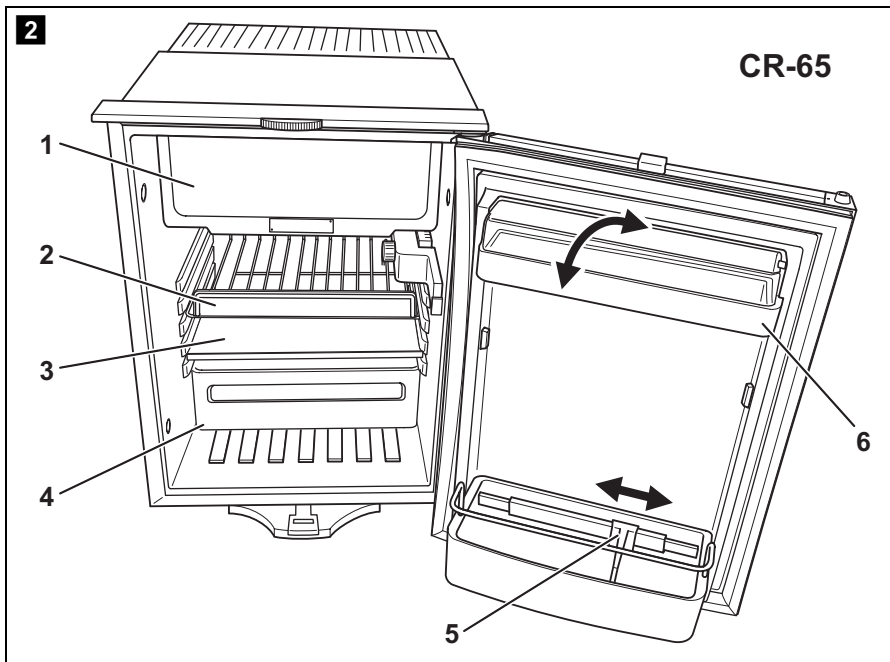
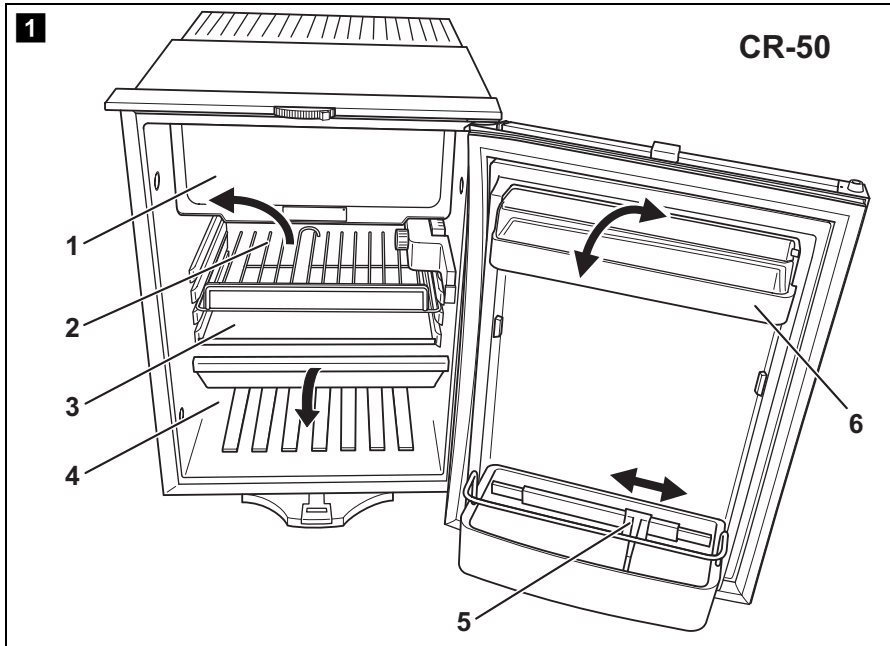
NL 119 **Koelkast**
Gebruiksaanwijzing

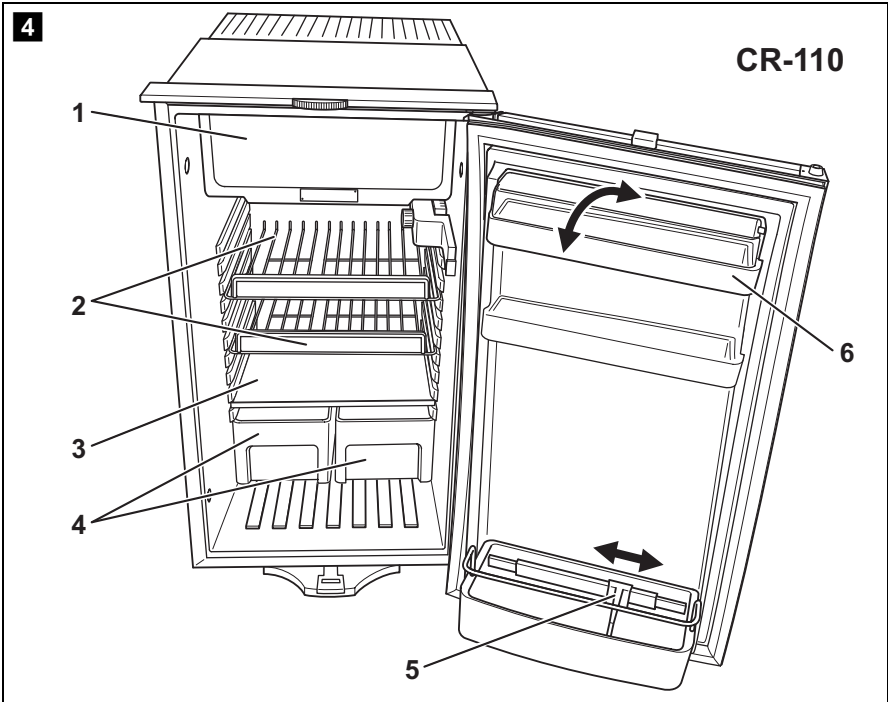
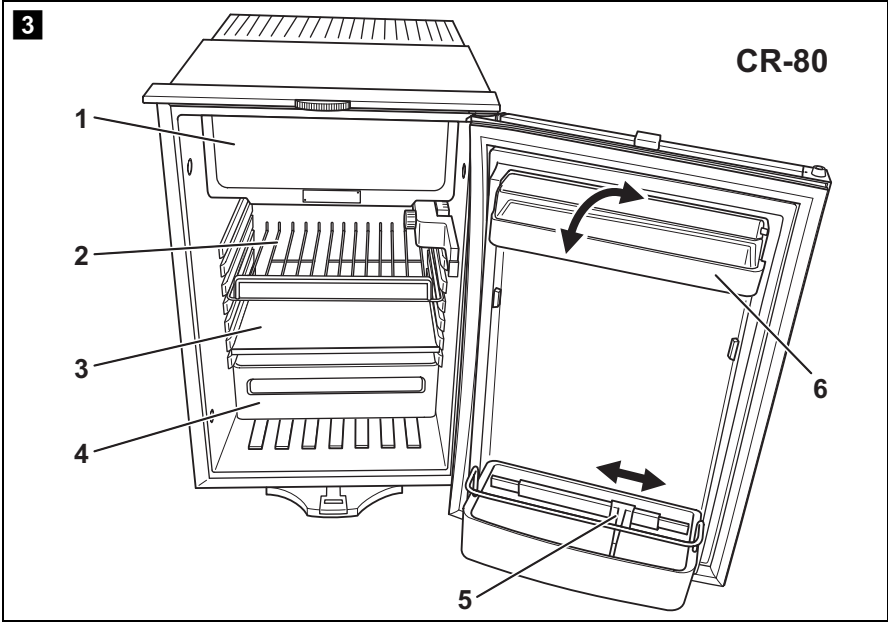
DA 140 **Køleskab**
Betjeningsvejledning

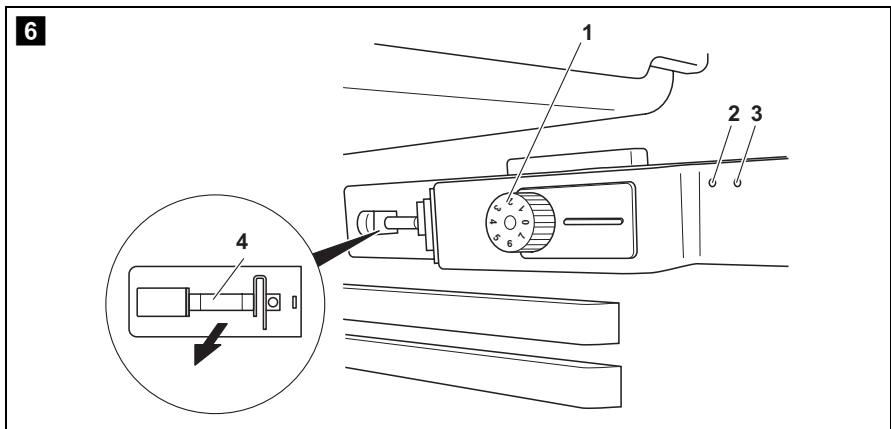
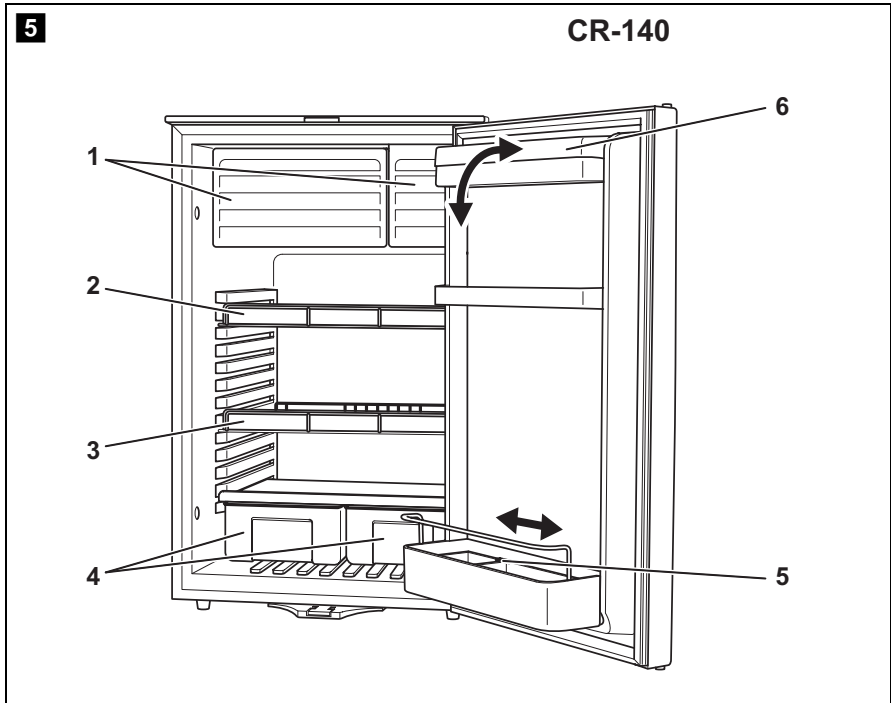
SV 161 **Kylskåp**
Bruksanvisning

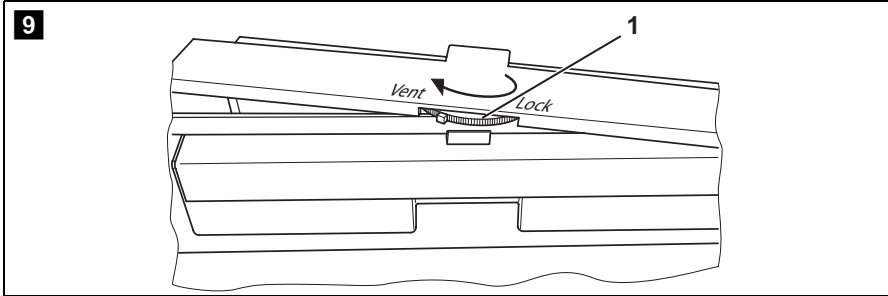
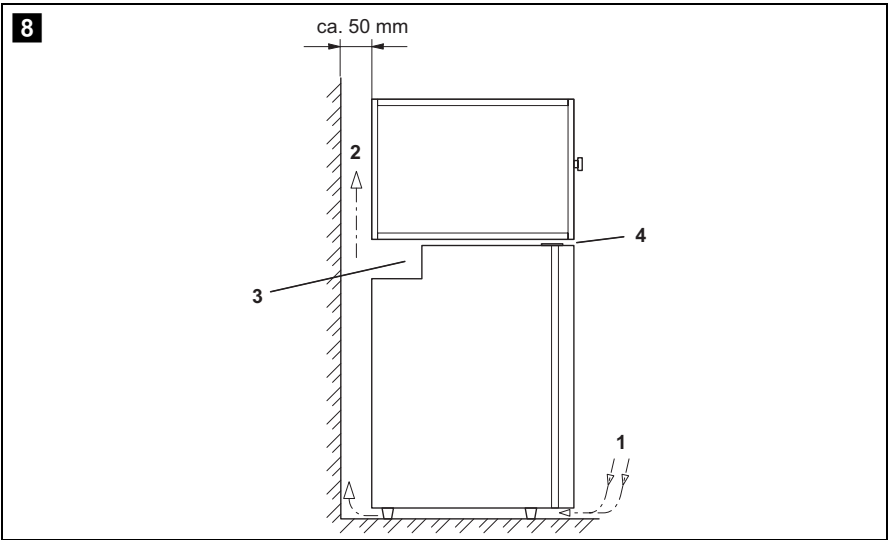
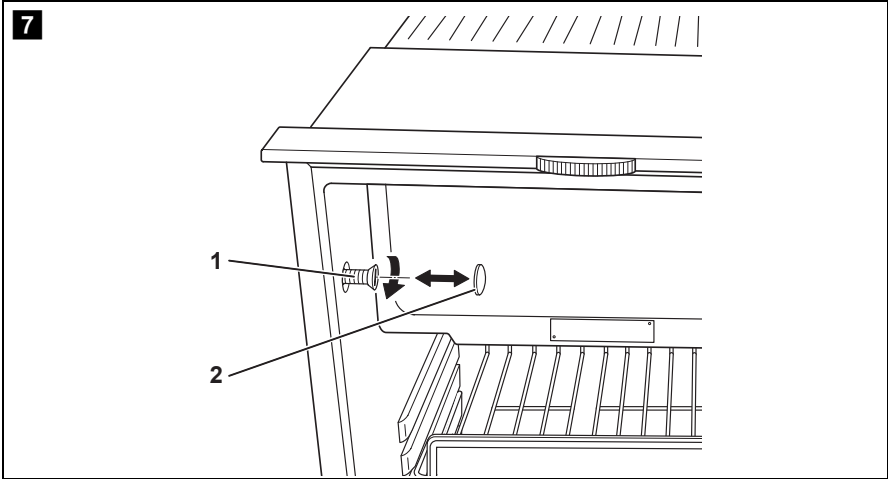
NO 180 **Kjøleskap**
Bruksanvisning

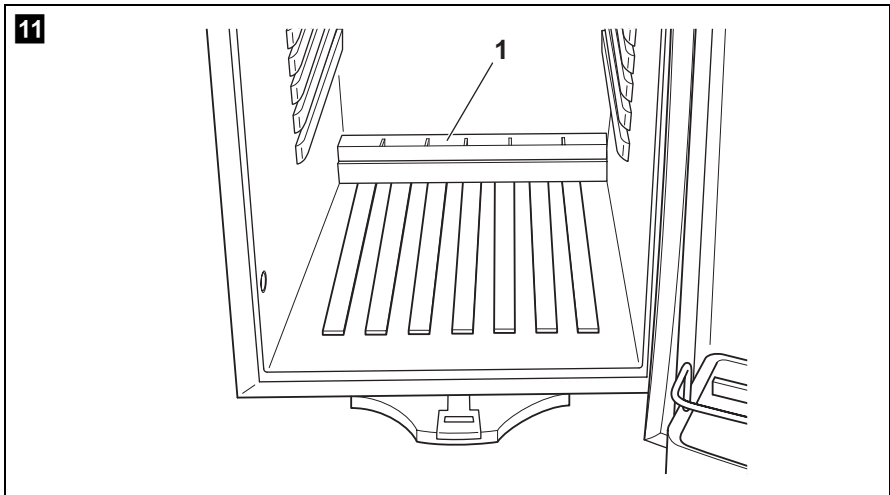
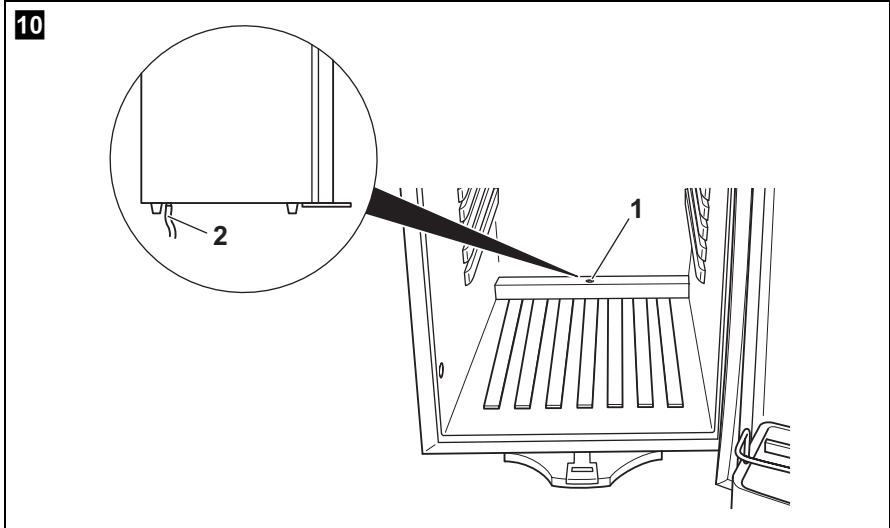
FI 200 **Jääkaapp**
Käyttöohje

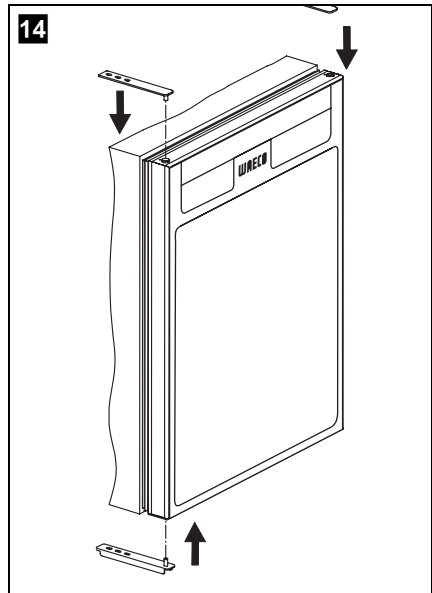
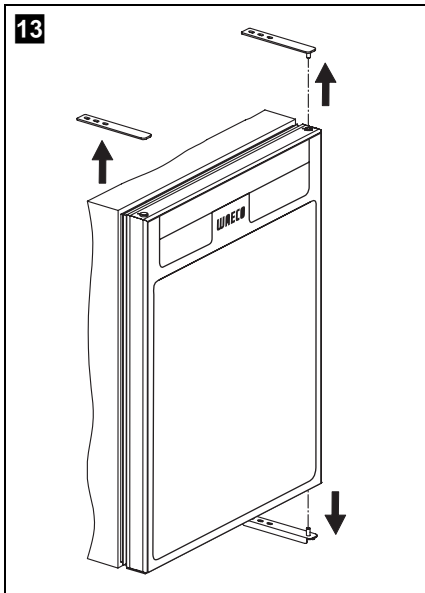
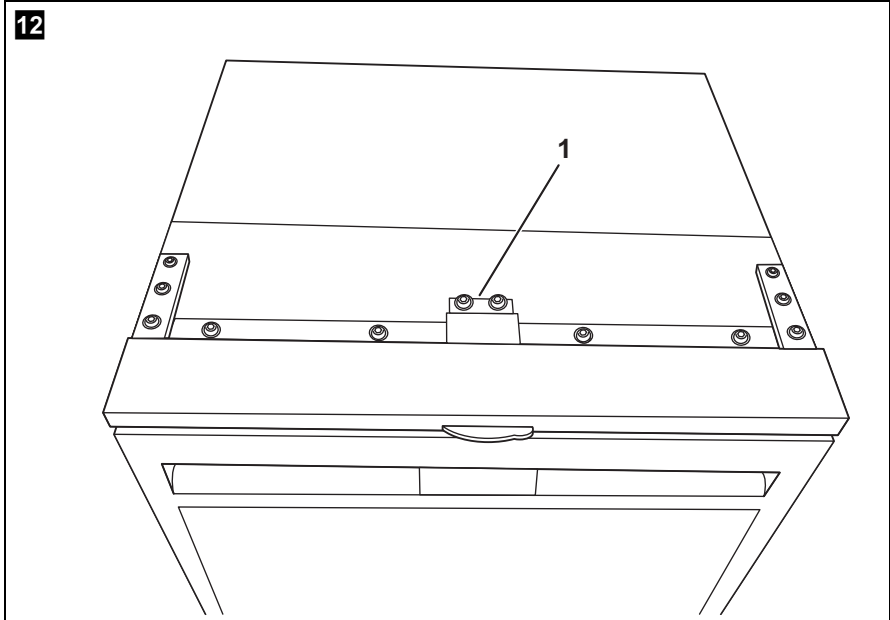


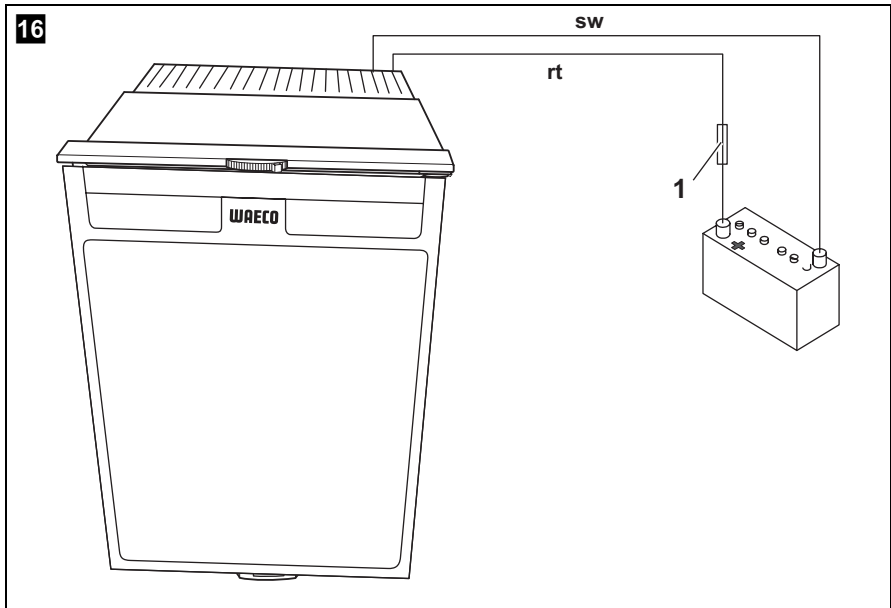
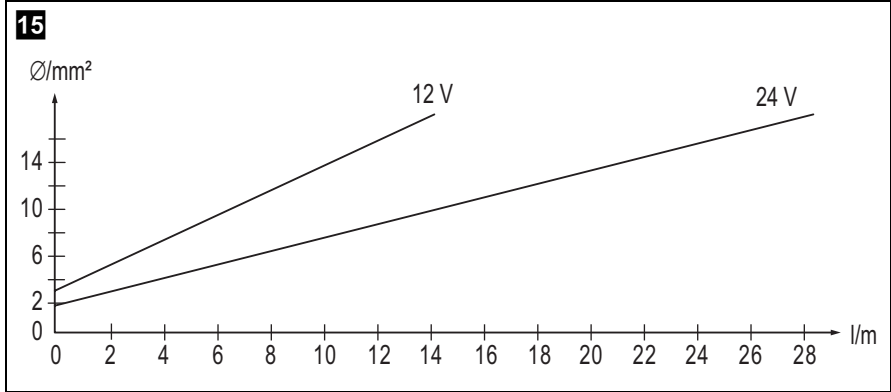


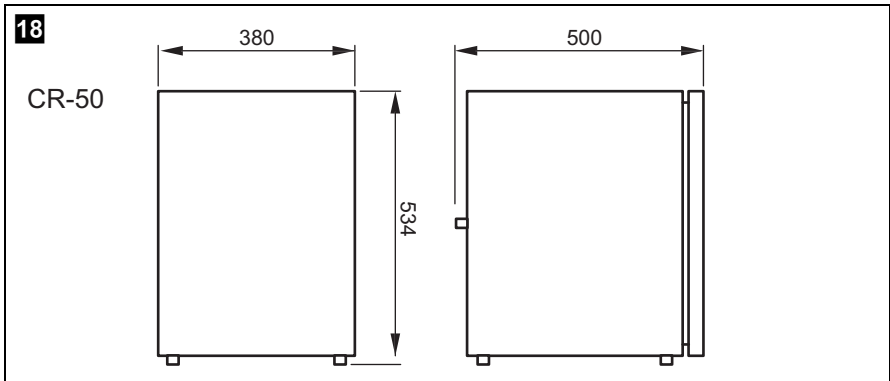
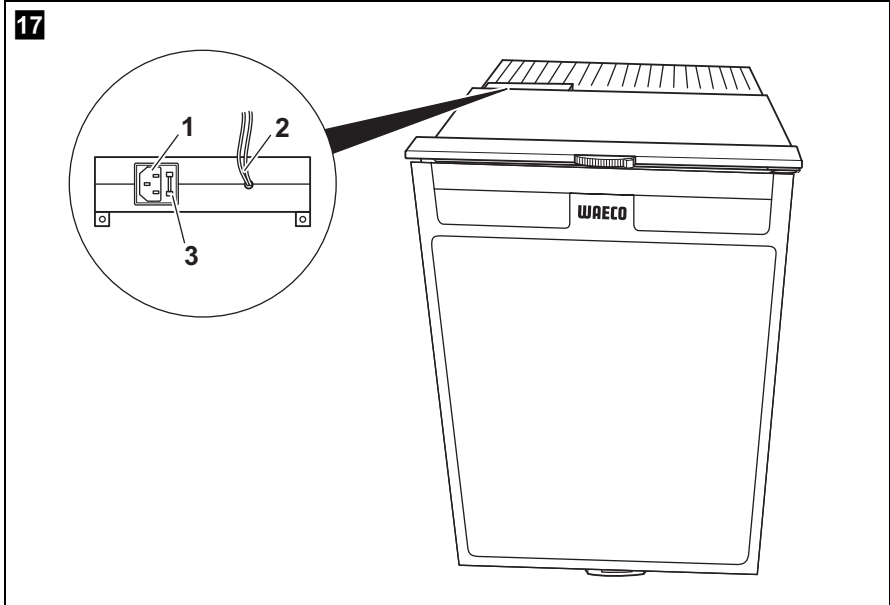


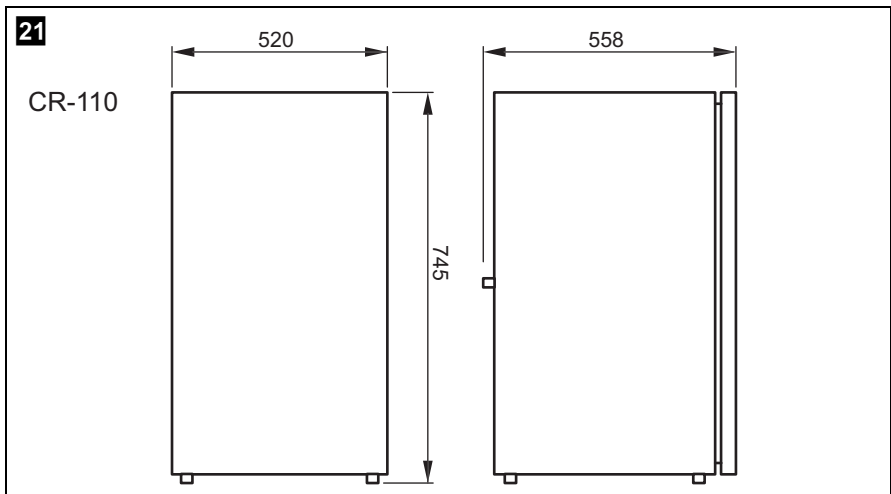
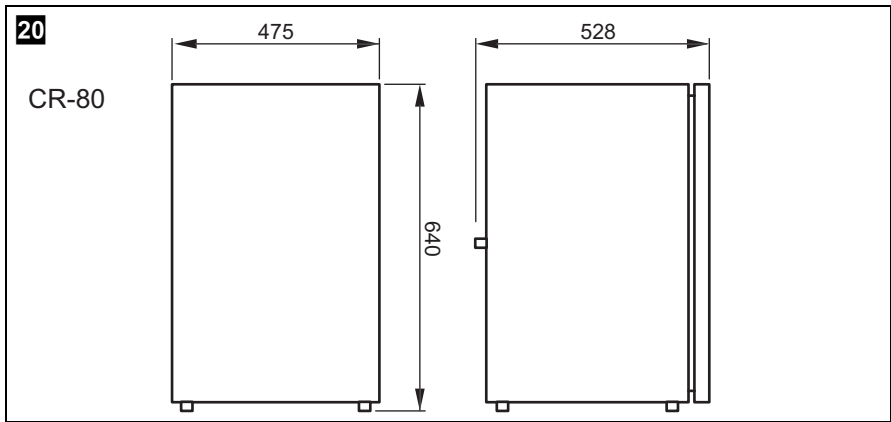
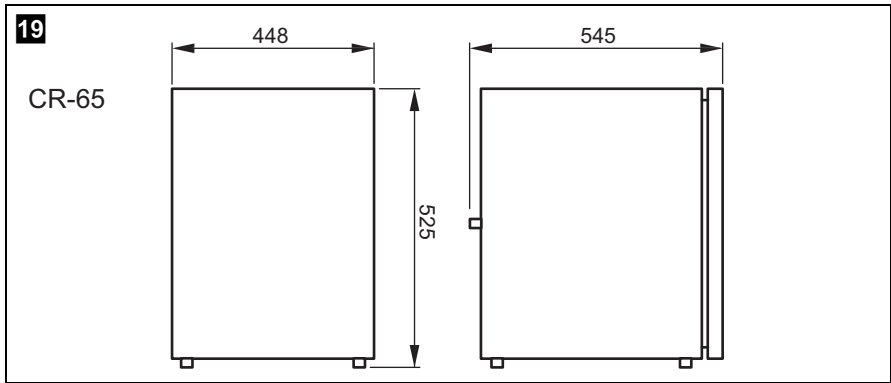






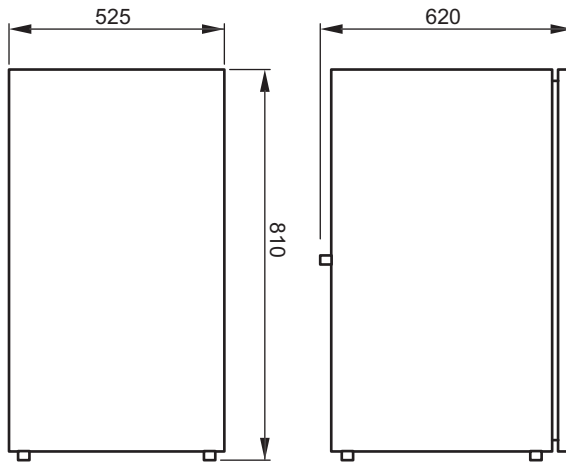




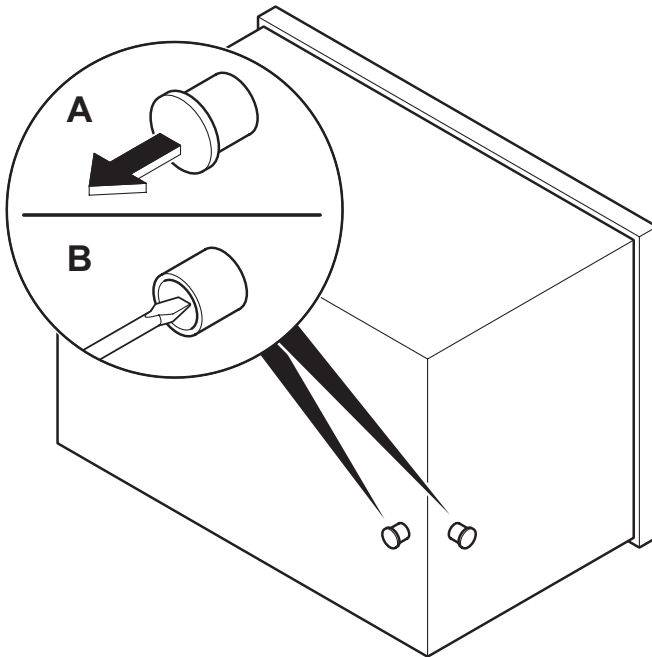


22

CR-140



23



Please read this instruction manual carefully before starting the appliance. Keep it in a safe place for future reference. If the appliance is handed over to another person, this operating manual must be handed over along with the appliance.

Contents

1	Notes on using the manual	35
2	Safety instructions	35
3	Scope of delivery	37
4	Accessories	37
5	Intended use	37
6	Technical description	38
7	Installing and connecting the refrigerator	39
8	Using the refrigerator	44
9	Cleaning and care	48
10	Guarantee	48
11	Disposal	49
12	Troubleshooting	49
13	Technical data	52

1 Notes on using the manual

The following symbols are used in this operating manual:

**Warning!**

Safety instruction: failure to observe this instruction can cause material damage or personal injury.

**Caution!**

Safety instruction: Failure to observe this instruction can cause material damage and impair the function of the device.

**Warning!**

Safety instruction relating to a danger from an electrical current or voltage. Failure to observe this instruction can cause material damage or personal injury and impair the function of the device.

**Note**

Supplementary information for operating the device.

► **Action:** This symbol indicates that action is required on your part. The required action is described step-by-step.

✓ This symbol describes the result of an action.

fig. 1 5, page 3: This refers to an element in an illustration. In this case, item 5 in figure 1 on page 3.

Please observe the following safety instructions.

2 Safety instructions

The manufacturer will not be held liable for claims for damage resulting from the following:

- Damage to the appliance resulting from mechanical influences and excess voltage
- Alterations to the device without express permission from the manufacturer
- Use for purposes other than those described in the operating manual

2.1 General safety



- Have a trained technician do the installation in wet rooms.
- Do not operate the appliance if it is visibly damaged.
- This appliance may only be repaired by qualified personnel. Improper repairs can lead to considerable hazards. Should your appliance need to be repaired, please contact Dometic WAECO customer service.
- Warning: do not open or damage the refrigerant circuit under any circumstances.
- Set up the appliance in a dry location where it is protected against splashing water.
- Do not place the appliance near naked flames or other heat sources (heaters, direct sunlight, gas ovens etc.)
- Ensure that the ventilation slots are not covered.
- The appliance is not suitable for the storage of caustic materials or materials containing solvents.



- Before you start up the appliance for the first time, check that the operating voltage matches the battery voltage (see type plate).
- **Danger of fatal injuries!**
When using the appliance on boats: if the appliance is powered by the mains, ensure that the power supply has a residual current circuit breaker!
- If the connection line of this device is damaged, it must be replaced with a special connection line which is available from the manufacturer or customer service.

2.2 Operating the appliance safely



- **Electrical appliances are not toys!**
Keep electrical appliances out of reach of children or infirm persons. Do not let them use the appliances without supervision.
- Defrost the appliance in good time to save energy.
- If you connect the appliance to a battery, make sure that no food comes into contact with the battery acid.
- Protect the appliance from rain and moisture.



- **Danger of fatal injury!**

Do not touch exposed cables with your bare hands. This especially applies when operating the appliance from an AC mains.

- Disconnect the refrigerator and other electric loads from the battery, before you connect the battery to a quick charging device. Overvoltage can damage the electronics.



- **Note:**

Disconnect the appliance from the power supply, if you are not going to use it for a prolonged period.

3 Scope of delivery

Quantity	Description
1	Refrigerator
1	Cable set (only for AC version)
1	Operating manual

4 Accessories

Item number	Description	Explanation
MPS-35	Rectifier	Converts the input voltage when connecting a 12 or 24-V-refrigerator to the 110 to 240 V AC mains.

5 Intended use



The refrigerator is suitable for cooling and freezing foodstuffs. The device can be connected to several power sources (12 V and 24 V and/or 110–240 V)



Caution

If you wish to cool medicines, please check if the cooling capacity of the appliance is suitable for the medicine in question.

6 Technical description

WAECO CR series cooling appliances can cool goods and keep them cool. Products can be deep-frozen in the freezer compartment.

All materials used in the refrigerator are compatible for use with foodstuffs. The refrigerant circuit is maintenance-free and CFC-free.

The refrigerators are suitable for use with a DC voltage of 12 V or 24 V (e.g. in camper vans, caravans or on boats).



Note

The CR-140 and all US versions are available in DC/AC version only. These refrigerators can be operated using a 12 or 24 V direct current source as well as a 110-240 V~ current source. The connection voltage of your device can be found on the type plate on the back of the device

With a rectifier (**accessory**), the 12 and 24 V refrigerators can be operated on an AC network:

- MPS-35 rectifier: for use with a 110 – 240 V supply

When used on boats the refrigerator can be subjected to a constant inclination of 30°.

You can use the continuously variable thermostat to set the desired temperature.

6.1 Control elements inside the fridge

The various types of refrigerators are shown in the following illustrations:

- CR-50: fig. **1**, page 3
- CR-65: fig. **2**, page 3
- CR-80: fig. **3**, page 4
- CR-110: fig. **4**, page 4
- CR-140: fig. **5**, page 5

No. in illustration	Explanation
1	Freezer compartment
2	Wire shelf (folding, so that bottles can be put in the fridge)
3	Fruit compartment
4	Shelf
5	Bottle restraint (to hold bottles in the door)
6	Compartment with lid (hinged)

6.2 Control elements

No. in fig. 6 , page 5	Explanation
1	Temperature controller
2	Green LED: operation
3	Red LED: fault
4	Interior lighting

7 Installing and connecting the refrigerator



Safety instructions for installation on boats

Please note the following instructions for installation on boats:

- The device can be tilted sideways up to 30°. When setting up the refrigerator, note that it must be fastened to take account of this. If you have any questions regarding installation, consult your specialist dealer.
- Install the refrigerator so that the warm air produced can easily flow away (either upwards or to the sides, fig. **8**, page 6).
- The appliance is designed for ambient temperatures between +18 °C and +43 °C.
- If the appliance is powered by the mains, ensure that the power supply has a residual current circuit breaker.
- Observe all the other installation instructions in this section.

7.1 Installing the refrigerator



Caution

- Fasten the device as described in the operating manual to prevent hazards.
- Keep objects clear of openings in the housing or mounting structure (such as ventilation slots).
- The refrigerator is only suitable for installation in a fitted niche. Once it is installed, only the front of the appliance may be accessible.



Note

In the case of integrated refrigerators, please remove the locking mechanism at the top and bottom. You can contact the Dometic WAECO branch in your country for more information (addresses on the back of the operating manual).

The appliance is designed for ambient temperatures between +18 °C and +43 °C. In continuous operation, the air humidity may not exceed 90 %.

Set up the fridge in a dry, sheltered place. Avoid placing it near heat sources such as radiators, gas ovens, hot water pipes etc. Do not let it stand in direct, strong sunlight.

Install the refrigerator so that the warm air produced can easily flow away (either upwards or to the sides). Therefore make sure there is adequate ventilation (fig. **8**, page 6).

No. in fig. 8 , page 6	Explanation
1	Cold intake air
2	Hot waste air
3	Condenser
4	Spacing above the fridge if insufficient air can circulate above or at the side.

The condensation which forms during normal operation of the refrigerator can be drained off via two outlets on the appliance. For delivery purposes, these outlets are sealed. The two outlets are located on the rear and on the underside of the appliance (fig. **23**, page 12).

- Choose the condensation outlet most suitable for the place of installation and remove its cap.
- Insert a sharp object (e.g. a screwdriver) approx. 25 to 30 mm into the outlet to pierce open the inside of the appliance.

If you put the refrigerator in a recess, you can fix it inside with suitable screws:

- Remove the blanking plugs (fig. **7** 2, page 6).
- Push the refrigerator into the recess.
- Use suitable screws (fig. **7** 1, page 6) to fix the refrigerator in place.
- Press the blanking plugs (fig. **7** 2, page 6) into the openings.

7.2 Undo the lock

The refrigerator has a locking mechanism (fig. **9** 1, page 6) which is also used, to protect it during transport. The following settings are possible:



Caution

Only adjust the locking mechanism when the door is open. If you use it with the door closed, you will damage the device.

- **Lock** (turn wheel clockwise to the end stop): The door is locked and secured.
To open the door, lift the handle up and open it.
- **Vent** (turn wheel anti-clockwise to the end stop): The door is slightly open, but fixed in position.
Use this position, if you are not going to use the appliance for a long time.

7.3 Changing the door hinge

You can also change the hinge of the door, so that it opens to the left rather than the right.

- Proceed as shown in fig. **12**, page 8 to fig. **14**, page 8, to change the hinges.

7.4 Connecting the refrigerator

Connect the refrigerator to DC power

The refrigerators can be operated with 12 V DC or with 24 V DC .



Warning!

To avoid voltage drops and loss of performance, keep the cable as short as possible and avoid joins.

For this reason avoid additional switches, plugs or multi-way adapters.

- Determine the required cross section of the cable in relation to the cable length according to fig. **15**, page 9.

Key for fig. **15**, page 9

Co-ordinate axis	Explanation	Unit
l	Cable length	m
∅	Cable cross section	mm ²



Warning!

Make sure that the polarity is correct.

- Before starting up the appliance for the first time, check whether the operating voltage and the battery voltage match (see type plate).
- Connect the refrigerator
 - as directly as possible to the poles of the battery or
 - to a 12 or 24 V DC socket.

Fit a fuse in the positive wire of at least 15 A (for 12 V) or 7.5 A (for 24 V) (fig. **16** 1, page 9).

- Connect the red cable (fig. **16** rt, page 9) to the positive terminal of the battery.
- Connect the black cable (fig. **16** sw, page 9) to the negative terminal of the battery.



Warning!

Disconnect the refrigerator and other electric loads from the battery before connecting the battery to a quick charging device.

Overvoltage can damage the appliance electronics.

For safety reasons the refrigerator is equipped with an electronic system to prevent the polarity being reversed. This protects the refrigerator against reversed polarity when connecting to a battery and against short circuiting. To protect the battery, the refrigerator switches off automatically if the voltage is insufficient (see table below).

	12 V	24 V
Cut-off voltage	10.4 V	22.8 V
Cut-in voltage	11.7 V	24.2 V

Connecting the refrigerator to AC power (accessory)



Note

The CR-140 and all US versions are available in DC/AC version only. Without using a rectifier, these refrigerators can be operated using a 110-240 V~ current source, in addition to a 12 or 24 V== current source.

You can connect the refrigerator to AC power if you use a rectifier (accessory):

- 110 - 240 V: MPS-35



Caution – Danger of electrocution

Never handle plugs and switches with wet hands or if you are standing on a wet surface.



Warning!

If you are operating your refrigerator on board a boat with a mains connection of 230-V from the land, you must install a residual current circuit breaker between the 230V mains supply and the refrigerator.

Seek advice from a trained technician.



Note

Always connect the refrigerator to the rectifier. Otherwise the priority circuit for the refrigerator will be disabled.

The priority circuit reduces the load on a connected battery by the rectifier always switching to mains operation if AC power is connected.

Proceed as follows when you connect the refrigerator to the AC supply:

- Fix the rectifier as shown in the location foreseen, behind the refrigerator (fig. **17**, page 10).
- Protect the AC circuit using a slow-blow fuse (250 V/4 A).
- Connect the power cable to the AC power supply.
- Plug in the connecting cable to the AC socket (fig. **17** 1, page 10).

Proceed as follows when you connect the refrigerator to a DC supply when a rectifier is fitted:

- Connect the loose DC cable (fig. **17** 2, page 10) to the battery:
 - Red cable: positive battery terminal
 - Black cable: negative battery terminal

8 Using the refrigerator



Note

Before starting your new refrigerator for the first time, you should clean it inside and outside with a damp cloth for hygienic reasons (please also refer to the chapter “Cleaning and care” on page 48).

8.1 Energy saving tips

- Choose a well ventilated installation location which is protected from direct sunlight.
- Allow hot food to cool down first before you put it in the refrigerator.
- Do not open the refrigerator more often than necessary.
- Do not leave the door open for longer than necessary.
- Defrost your refrigerator as soon as a layer of ice forms.
- Avoid unnecessarily low temperature settings.
- Clean dust and dirt from the condenser at regular intervals.

8.2 Using the refrigerator

The fridge conserves fresh foodstuffs. The freezer compartment conserves frozen foodstuffs and freezes fresh foodstuffs.



Caution

- Do not place any electrical devices inside the cooler. The only exceptions are devices approved for the purpose by the manufacturer.
- Ensure that food or liquids in glass containers are not excessively cooled.
Liquids expand when they freeze and can thus destroy the glass containers.
- Food may only be stored in its original packaging or in suitable containers.
- Ensure that the objects placed in the refrigerator are suitable for cooling to the selected temperature.

- Switch the refrigerator on by turning the temperature control (fig. **6** 1 page 5) clockwise.



Note

After switching on, the refrigerator requires approx. 60 s until the compressor starts up.

Setting the temperature

You can set the temperature to any level using the control knob. The built-in thermostat regulates the temperature as follows:

- 1 = least cooling
- 7 = most cooling



Note

The cooling capacity can be influenced by:

- the ambient temperature
- the amount of food to be conserved
- the frequency with which the door is opened.

Conserving foodstuffs

You can conserve foodstuffs in the refrigerator. The time for which the food can be conserved in this way is usually stated on the package.



Caution

Do not conserve **warm** food in the refrigerator.

Do not place glass containers containing liquid in the freezer compartment.



Note

Food which can easily absorb tastes and odours and liquids and products with a high alcohol content should be conserved in airtight containers.

The refrigerator is divided in different zones with different temperatures:

- The colder zones are immediately above the drawers for fruit and vegetables, near the back wall.
- Observe the temperature information and best before date on the food packaging.
- Observe the following when using the refrigerator:
 - Never re-freeze products which have started defrosting or have been defrosted, but consume them as soon as possible.
 - Wrap food in aluminium foil or cling film and shut in in a suitable box with a lid. This ensures that aromas, the shape and the freshness will be better conserved.

Defrosting the refrigerator

The appliance has two options to remove the condensation resulting from operation:

- pass it directly outside:

Remove the drip-tray (fig. **11** 1, page 7).

Connect a hose (fig. **10** 2, page 7) to the outlet connections (fig. **10** 1, page 7).

- collect in the drip-tray:

Empty the drip-tray (fig. **11** 1, page 7) as required.

Defrosting the freezer



Caution

Never use mechanical tools to remove ice or to loosen objects stuck to the device. The only exceptions are devices approved for the purpose by the manufacturer.

To defrost the refrigerator, proceed as follows:

- Take the contents out.
- If necessary, place the contents in another cooling appliance, to keep them cool.
- Set the temperature control knob to “0”.
- Leave the door open.

Switching off and storing the refrigerator

If you do not intend to use the refrigerator for a long time, proceed as follows:

- Set the temperature control knob to level “0”.
- Disconnect the power cable from the battery or pull the AC cable plug out of the rectifier.
- Clean the refrigerator (see chapter “Cleaning and care” on page 48).
- Turn the locking wheel (fig. **9** 1, page 6) anti-clockwise to the end stop (“Vent”).
- Close the door until it latches in.
- ✓ The door stays open thus preventing smells from arising.

Replacing the interior light

If the interior light in the refrigerator is faulty, you can change the LED lamp (DC 12 – 24 V, 0.3 W). When changing the lamp, only use LEDs which can be run with **12 V and 24 V**.

- Remove the cover.
- Pull the lamp (fig. **6** 4, page 5) out of the sheet metal straps.
- Slide in the new lamp between the sheet metal straps, until it snaps into place.

Change the fuse (only DC/AC refrigerators).

If the fuse in the rectifier is faulty too, you can replace this too.

- Lever the fuse compartment (fig. 17 3, page 10) open with a screwdriver.
- Replace the fuse (250 V/4 A).
- Close the fuse compartment again.

9 Cleaning and care

**Caution**

Do not use abrasive cleaning agents or hard objects during cleaning as these can damage the refrigerator.

**Caution**

Never use hard or pointed tools to remove ice or to loosen objects which have frozen in place.

- As soon as the refrigerator becomes dirty, clean it with a damp cloth.
- Make sure that no water drips into the seals. This can damage the electronics.
- Wipe the refrigerator dry with a cloth after cleaning.

10 Guarantee

The statutory warranty period applies. If the product is defective, please contact the manufacturer's branch in your country (see the back of the instruction manual for the addresses) or your retailer.

For repair and guarantee processing, please include the following documents when you send in the device:

- A copy of the receipt with purchasing date
- A reason for the claim or description of the fault

11 Disposal



Danger – Risk of child entrapment!

Before you throw away your old refrigerator:

- Take off doors
- Leave the shelves in place so that the children may not easily climb inside

- Place the packaging material in the appropriate recycling waste bins wherever possible.



If you wish to finally dispose of the device, ask your local recycling centre or specialist dealer for details about how to do this in accordance with the applicable disposal regulations.

12 Troubleshooting

The significance of the red LED (fig. 6 2, page 5)

For operational faults it illuminates several times. The number of pulses depends on the type of fault.

Each flash lasts for one quarter of a second. After the series of impulses a pause follows. The sequence for the fault is repeated every four seconds.

Number of flashes	Fault	Possible cause
1	Supply voltage	The supply voltage is outside of the set range.
2	Excessive fan current	The fan loads the electronics unit with more than 1 A.
3	The motor doesn't start	The rotor is jammed. The pressure difference in the cooling system is too high (> 5 bar).
4	Speed too low	If the cooling system is overloaded, the minimum speed of the motor of 1850 RPM cannot be maintained.
5	Overheating of the electronics unit	If the cooling system is loaded too heavily or the temperature is set too high, the electronics can overheat.

Interior temperature too low in control level "1"

Fault	Possible cause	Remedy
Compressor runs constantly	Faulty thermostat	Change the thermostat
Compressor runs for a long time	Large quantities have been frozen in the freezer compartment	–

Compressor does not run (battery connection)

Fault	Possible cause	Remedy
$U_{KL} = 0 \text{ V}$	There is an interruption in the connection between the battery and the – electronics	Establish a connection
	Main switch faulty (if installed)	Replace the main switch
	Additional supply line fuse has blown (if installed)	Replace the supply line fuse
$U_{KL} \leq U_{EIN}$	Battery voltage is too low	Charge the battery
Start attempt with $U_{KL} \leq U_{OFF}$	Loose cables	Establish a connection
	Poor contact (corrosion)	Establish a connection
	Battery capacity too low	Replace the battery
Start attempt with $U_{KL} \geq U_{ON}$	Cable cross section too small	Replace the cable (fig. 15, page 9)
	Ambient temperature too high	–
	Insufficient ventilation and/or air supply	Move the refrigerator to another location
Condenser is dirty		Clean the condenser
	Defective compressor	Replace the compressor
Electric circuit between the pins in the compressor interrupted		Replace the compressor

U_{KL} Voltage between the positive and negative terminals of the electronics

U_{ON} Cut-in voltage of the electronics

U_{OFF} Cut-off voltage of the electronics

Compressor is not running (connected to AC supply)

Fault	Possible cause	Remedy
No voltage	Interruption in the supply cable	Establish a connection
	Main switch faulty (if installed)	Replace the main switch
	Additional supply line fuse has blown (if installed)	Replace the supply line fuse
Voltage is present but the compressor doesn't run	Ambient temperature too high	–
	Insufficient ventilation and/or air supply	Move the refrigerator to another location
	Condenser is dirty	Clean the condenser
Electric circuit between the pins in the compressor interrupted	Defective compressor	Replace the compressor

Poor cooling, interior temperature increases

Fault	Possible cause	Remedy
Compressor runs for a long time/continuously	Ambient temperature too high	–
	Insufficient ventilation and/or air supply	Move the refrigerator to another location
	Condenser is dirty	Clean the condenser
	Faulty fan	Replace the fan
Compressor runs intermittently	Battery capacity exhausted	Charge the battery

Unusual noises

Fault	Possible cause	Remedy
Loud humming	A component of the refrigerant circuit cannot move freely (touching the wall)	Bend the component carefully away from the obstruction
	Foreign body jammed between the cooling unit and the wall	Remove the foreign body
	Fan noise	–

13 Technical data

All CR series refrigerators have the following characteristics:

- Dimensions: fig. **18**, page 10 to fig. **22**, page 12
- Supply voltage 12 V^{DC}/24 V^{DC} (see type plate on refrigerator)
- Connection to AC supply via rectifier
(accessories for CR-140 and US models are integrated in the device):
 - 110 – 240 V^{AC}: MPS-35 rectifier
- Refrigerator main compartment temperature range: +10 °C to 0 °C
- Freezer compartment temperature range: 0 °C to –18 °C
- Relative humidity: maximum 90 %
- Constant inclination: max. 30°
- Max. pressure: ND 11 bar/HP 25 bar
- Propellant: C₅H₁₀
- Climatic class: T

- Test/certificates:     

	CR-50	CR-65
Capacity:	48 l	64 l
Freezer compartment:	5 l	7.2 l
Rated current:	5.7 A at 12 V ^{DC} 2.8 A at 24 V ^{DC}	5.7 A at 12 V ^{DC} 2.8 A at 24 V ^{DC}
Average power consumption:	40 W	45 W
Weight:	19 kg	20 kg
Refrigerant R134a:	53 g	55 g

	CR-80	CR-110
Capacity:	80 l	108 l
Freezer compartment:	7.9 l	10.2 l
Rated current:	5.9 A at 12 V _{DC} 3.0 A at 24 V _{DC}	5.9 A at 12 V _{DC} 3.0 A at 24 V _{DC}
Average power consumption:	48 W	50 W
Weight:	23 kg	28 kg
Refrigerant R134a:	66 g	68 g

	CR-140
Capacity:	136 l
Freezer compartment:	11,5 l
Rated current:	5.9 A at 12 V _{DC} 3.0 A at 24 V _{DC}
Average power consumption:	70 W
Weight:	32 kg
Refrigerant R134a:	75 g

Versions, technical modifications and delivery options reserved.

This appliance is CFC-free.

The coolant circuit contains R134a.

(D) Dometic WAECO International GmbH
 Hollefeldstraße 63 · D-48282 Emsdetten
 ☎ +49 (0) 2572 879-195 · 📠 +49 (0) 2572 879-322
 Mail: info@waeco.de · Internet: www.waeco.de

Europe

(A) Dometic Austria GmbH
 Neudorferstrasse 108
 2353 Guntramsdorf
 ☎ +43 2236 908070
 📠 +43 2236 90807060
 Mail: info@waeco.at

(CH) Dometic Switzerland AG
 Riedackerstrasse 7a
 CH-8153 Rümlang (Zürich)
 ☎ +41 44 8187171
 📠 +41 44 8187191
 Mail: info@waeco.ch

(DK) Dometic Denmark A/S
 Nordensvej 15, Taulov
 DK-7000 Fredericia
 ☎ +45 75585966
 📠 +45 75586307
 Mail: info@waeco.dk

(E) Dometic Spain S.L.
 Avda. Sierra del Guadarrama, 16
 E-28691 Villanueva de la Cañada
 Madrid
 ☎ +34 902 111 042
 📠 +34 900 100 245
 Mail: info@dometic.es

(F) Dometic S.N.C.
 ZA du Pré de la Dame Jeanne
 F-60128 Plailly
 ☎ +33 3 44633500
 📠 +33 3 44633518
 Mail: info@waeco.fr

(FIN) Dometic Finland OY
 Mestarintie 4
 FIN-01730 Vantaa
 ☎ +358 20 7413220
 📠 +358 9 7593700
 Mail: waeco@waeco.fi

(I) Dometic WTA s.r.l.
 Via Virgilio, 3
 I-47100 Forlì
 ☎ +39 0543 754213
 📠 +39 0543 756631
 Mail: info@dometicwta.com

(N) Dometic Norway AS
 Skolmar 24
 N-3232 Sandefjord
 ☎ +47 33428450
 📠 +47 33428459
 Mail: firmapost@waeco.no

(NL) Dometic Benelux B.V.
 Ecustraat 3
 NL-4879 NP Etten-Leur
 ☎ +31 76 5029000
 📠 +31 76 5029090
 Mail: info@dometic.nl

(S) Dometic Scandinavia AB
 Gustaf Melins gata 7
 S-42131 Västra Frölunda (Göteborg)
 ☎ +46 31 7341100
 📠 +46 31 7341101
 Mail: info@waeco.se

(UK) Dometic UK Ltd.
 Dometic House · The Brewery
 Blandford St. Mary
 Dorset DT11 9LS
 ☎ +44 844 626 0133
 📠 +44 844 626 0143
 Mail: sales@waeco.co.uk

Overseas + Middle East

(AUS) WAECO Pacific Pty. Ltd.
 1 John Duncan Court
 Varsity Lakes QLD 4227
 ☎ +61 7 55076000
 📠 +61 7 55076001
 Mail: sales@waeco.com.au

(HK) WAECO Impex Ltd.
 Suites 3210-12 · 32/F · Tower 2
 The Gateway · 25 Canton Road,
 Tsim Sha Tsui · Kowloon
 Hong Kong
 ☎ +852 24632750
 📠 +852 24639067
 Mail: info@waeco.com.hk

(ROC) WAECO Impex Ltd.
 Taipei Office
 2 FL-3 · No. 56 Tunhua South Rd, Sec 2
 Taipei 106, Taiwan
 ☎ +886 2 27014090
 📠 +886 2 27060119
 Mail: marketing@waeco.com.tw

(UAE) WAECO Middle East FZCO
 R/A 8, SD 6
 Jebel Ali, Dubai
 ☎ +971 4 8833858
 📠 +971 4 8833868
 Mail: waeco@emirates.net.ae